

AZTRON[®]



ROCKET FOIL SYSTEM
USER MANUAL

2023 VERSION



RELEASE OF LIABILITY

Releases of liability, claim waiver and assumption of risk:

By assembling and/or using this Aztron product, you agree that you have read and understood this entire Aztron product owner manual, including all instructions and warnings, prior to using Aztron products in any way.

In addition, you agree that you will ensure that any additional or subsequent users of your Aztron products will read and understand the entire product manual of the Aztron product, including all instructions and warnings contained in this manual, prior to allowing that person to use your Aztron product.

ASSUMPTION OF RISK:

In using your Aztron product and any of its components, you freely agree to assume and accept any known and unknown risks of injury to you and third parties when using this equipment.

The internal risks, dangers and hazards of the sport can be greatly reduced by adhering to the warning guidelines listed in this user's manual and by using common sense.

WARNING:

Use this product at your own risk. Wing foiling is a HAZARDOUS activity which involves RISKS and DANGERS that are unavoidable and can result in serious bodily injury or death of the user and others. Ensure all parts of your product are thoroughly checked before each use. Download and read the User Manuals and Installation Guides relating to the product before using it. Failure to do so may result in personal injury or death.

RELEASE AND WAIVER OF CLAIMS:

In consideration of the sale of the Aztron product to you, you hereby agree to the fullest extent permitted by laws as follows;

To waive any and all claims, that you have or may have in the future against Aztron and all related parties resulting from the use of the Aztron product and any of its components.

Aztron and any of its agents are released from any and all liability for any loss, damage, injury or expense that any users of this product may suffer, or that your next in kin may suffer, as a result of the use of this product, including but not limited to negligence, breach of contract in the part of Aztron, or any of its agents, in the design and manufacture of this product.

SAFETY WARNINGS

For your safety and the safety of others, Aztron strongly urge you to undergo lessons with a recognized certified instructor prior to using this product. This user manual is NOT a substitution to lessons.

Wind-winging and foiling involve unavoidable risks so it is important that you familiarize yourself with these risks and take appropriate measure to minimize risks as much as possible. Please familiarize yourself with safety precautions and system related to your equipment. Wind-winging and foiling are high-intensity action sports. Do not participate in these sports if you are physically unfit or suffer from any medical conditions that may put you at further risk.

LIMIT DANGERS TO YOURSELF:

In using your Aztron product and any of its components, you freely agree to assume and accept any known and unknown risks of injury to you and third parties when using this equipment.

The internal risks, dangers and hazards of the sport can be greatly reduced by adhering to the warning guidelines listed in this user's manual and by using common sense.

- Be aware of the usual risks associated with water sports such as drowning, rapidly changing conditions, hypothermia, sunburn fatigue, rocks, waves etc.
- Only use this product if you are a strong swimmer.
- Familiarize yourself with local marine sue guidelines and obey all established rules.
- Check weather reports, local prevailing conditions, tides, and currents prior to launching.
- Be aware of the surroundings prior to launching. Do not wind-winging around power lines, power poles, cliffs, groups of people etc.
- Check your equipment thoroughly prior to each use. Do not launch your wing if it is damaged in anyway.
- Always surf, SUP, wind-wing with a partner and/or a supervisor observing you from the land. Always explain your expected course to your supervisor or partner.
- Do NOT surf, SUP, foil or wind-wing in extreme weather and/or rapidly changing conditions.
- Do NOT wind-wing in offshore winds or strong onshore winds.

- If you are under age of 18, you must have your parent or legal guardian read these warning and instructions.
- When wind-winging, always use a safety leash so your wing is contained if dropped.
- We strongly recommend you wear a helmet to avoid injury from your board or other hard objects.
- We strongly recommend you wear a Personal Flotation Device (PFD) or impact vest.
- Do NOT use this product if you are under the influence of drugs, alcohol or prescription medication.
- Note that this is a non-exhaustive list. Use Common sense if other risks arise.

LIMITED DANGERS TO OTHERS:

- Be courteous to other riders and comply with established give way rules.
- Stay clear other water users. Leave sufficient space between you and swimmers, boats and any other water users.
- Stay clear of other beach users.
- Familiarise yourself with local marine use guidelines and obey all established rules.
- Respect wildlife and behave accordingly.
- Note that this is a non-exhaustive list. Use common sense if other risks arise.

LIMITED WARRANTY



Aztron Sports warranties our products to be free from major defects in material or workmanship to the original purchase ONLY, for a period of 365 days* from the date of purchase.

**Warranty period may vary by country of purchase.*

THIS WARRANTY IS SUBJECT TO THE FOLLOWING LIMITATIONS:

1. The warranty is valid only when the warranty registration or warranty card is completed and returned within 30 days of date of purchase.
2. Warranty registration or warranty card must be accompanied by the original purchase receipt in which the name of retailer and date of purchase must be clear and legible.
3. Warranty is only valid when the product is used for its normal intended recreational use and will not cover products used in teaching, rental operations or other commercial purpose.
4. Aztron will make the final warranty determination, which may require inspection and/or photos of the equipment which clearly show defects. If necessary, this information must be sent to your point of purchase, or your country's Aztron distributor, postage prepaid.
5. If Aztron deems the products defective, the warranty only covers the repair or replacement of the defective product. Aztron will not be responsible for any costs, losses or damages incurred as a result of the loss of use of this product.
6. The warranty does not cover damage caused by misuse, abuse, neglect or normal wear or tear including, but not limited to: punctures, riggings with other than Aztron components, damage due to excessive sun exposure or hot temperatures such as inside an unventilated car, damage due to the product being stored in temperatures exceeding 45 degrees Celsius, damage caused by improper handling and storage, damage caused by use in waves or shore breaks, damage caused by using any inappropriate tools or any tool other than those specified within the installation guides and user manuals, damage caused by neglect of the care and maintenance instructions provided within the installation Guides and User Manuals.
7. This warranty is void if any repair, change or modifications has been made without authorization to any part of the equipment.
8. The warranty for any repaired or replaced equipment is good from the date of the original purchase date only.

- All warranty claims must be accompanied by a digital copy of the original purchase receipt in which the name of the official retailer and date of purchase must be clear and legible.
- There are no warranties that extend beyond the warranty specified herein.

For any warranty claims please contact your AZTRON retailer. A claim form can be download from the AZTRON website.



WARRANTY REGISTRATION CARD

Date of Purchase: _____ Model: _____

Serial Number: _____

Dealer/Store Name: _____

Dealer/Store Address: _____

State/Province: _____ Zip/Postal Code: _____

Country: _____ Mr. Mrs. Ms.

Surname: _____ Name: _____

Address: _____

State/Province: _____ Zip/Postal Code: _____

Country: _____

Telephone Number: () _____

Email: _____

INDEX

1. Foil Safety	9
2. ROCKET Foil System Overview	10
3. Foil Assembly	18
3.1 Board Adaptor to Mast Assembly	18
3.2 Fuselage to Mast Assembly	19
3.3 Stabilizer Assembly	19
3.4 Front Wing Assembly	19
4. Foil to Board Assembly	20
4.1 Attaching ROCKET Foil System to the Aztron Board	20
4.2 Attaching ROCKET Foil System to Non-Aztron Board	21
5. Foil and Board Care	22
6. Serial Number	23

Follow us at @aztronglobal   

WWW.AZTRONSPORTS.COM

1. FOIL SAFETY

Foiling comes with a unique set of risks and dangers above those inherent to the sport of wing foiling or foil boarding. In order to keep yourselves and others safe in the water, we recommend use extra caution and implement these basic safety precautions :

- Aztron strongly recommends wing foil or related lessons for first-time foil users. Wing Foiling is a dangerous activity and should be treated with caution.
- Check foil screws and components before each use to ensure all connections are tight and in proper working order.
- Do not foil in shallow water, and use extreme caution when foiling near other people and objects.
- We recommend wearing a helmet with ear protection at all times and a wetsuit (especially when learning), to help protect yourself from impacts with your board and foil.
- Be aware that your foil will drift on its own faster and further than a regular board.
- Use care when transporting your foil, to ensure the safety of yourself and others, and to protect the longevity of your equipment.
- Use extreme caution when placing your foil and foil board on the beach, as there can be a danger to other riders, general beach users and your own equipment.
- We recommend using a Aztron wing, stabilizer and mast gear bag for your Foil-set, to provide maximum protection and longevity of the products.

2. FOIL OVERVIEW

1450 ROCKET (ITEM NO. AF-110)

1- Board Adaptor

2- Mast

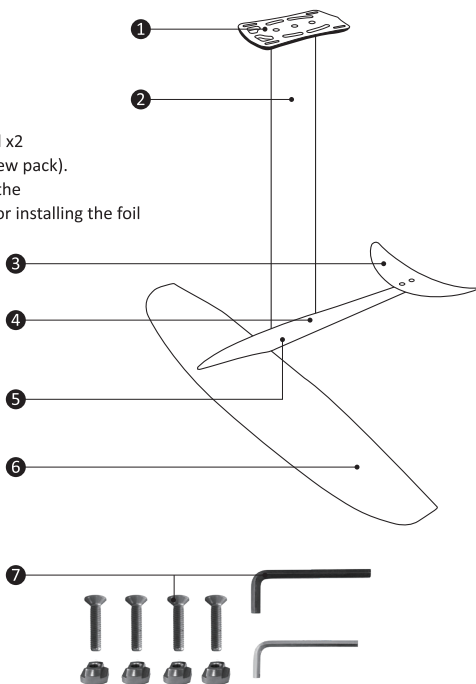
3- Stabilizer

4- Lock System

5- Fuselage - (AF-SC150)

6- Front Wing

7- Foil Tool Kit (Torx T40 Tool x2 to tighten screws with screw pack).
The screw pack including the spare screws and T-Nuts for installing the foil onto the board



A. SCREW PACK A BOARD ADAPTOR

3 x M6x28 TH
T40 Screws



B. SCREW PACK B FUSELAGE

3 x M6x28 TH
T40 Screws



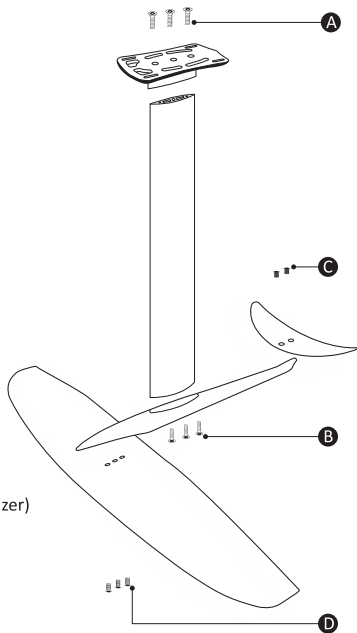
C. SCREW PACK C 320H STABILIZER

2 x M8x16 TH
T40 Screws
(Use the big Torx key install the stabilizer)



D. SCREW PACK D 1450H FRONT WING

3 x M6x25 TH
T40 Screws



1800H ROCKET (ITEM NO. AF-135)

1- Board Adaptor

2- Mast

3- Stabilizer

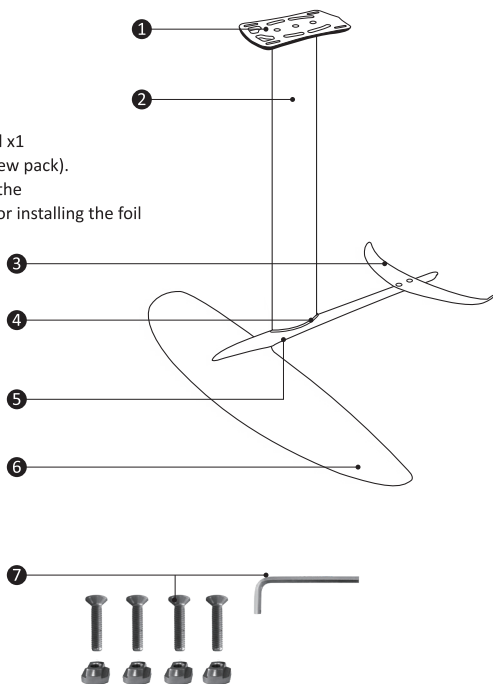
4- Lock System

5- Fuselage - (AF-SC200)

6- Front Wing

7- Foil Tool Kit (Torx T40 Tool x1
to tighten screws with screw pack).

The screw pack including the
spare screws and T-Nuts for installing the foil
onto the board



**A. SCREW PACK A
BOARD ADAPTOR**

3 x M6x28 TH
T40 Screws



**B. SCREW PACK B
FUSELAGE**

3 x M6x28 TH
T40 Screws



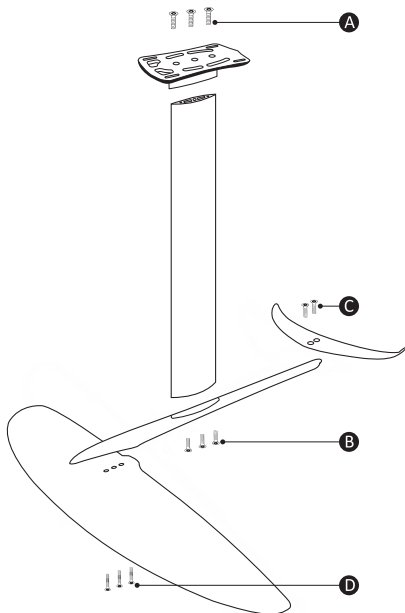
**C. SCREW PACK C
310H STABILIZER**

2 x M6x28 TH
T40 Screws



**D. SCREW PACK D
1800H FRONT WING**

3 x M6x32 TH
T40 Screws



1650 ROCKET (ITEM NO. AF-120)

1- Board Adaptor

2- Mast

3- Stabilizer

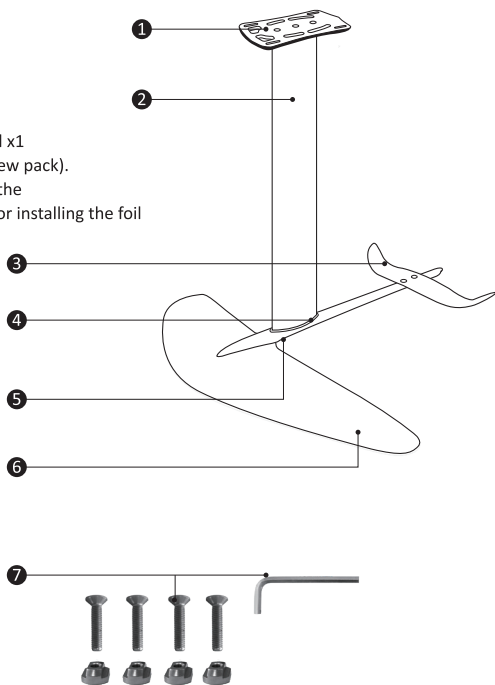
4- Lock System

5- Fuselage - (AF-SC200)

6- Front Wing

7- Foil Tool Kit (Torx T40 Tool x1
to tighten screws with screw pack).

The screw pack including the
spare screws and T-Nuts for installing the foil
onto the board



**A. SCREW PACK A
BOARD ADAPTOR**

3 x M6x28 TH
T40 Screws



**B. SCREW PACK B
FUSELAGE**

3 x M6x28 TH
T40 Screws



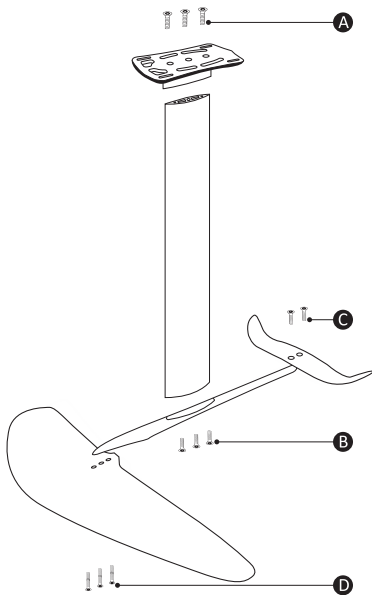
**C. SCREW PACK C
450 STABILIZER**

2 x M6x28 TH
T40 Screws



**D. SCREW PACK D
1650 FRONT WING**

3 x M6x42 TH
T40 Screws



2000 ROCKET (ITEM NO. AF-150)

1- Board Adaptor

2- Mast

3- Stabilizer

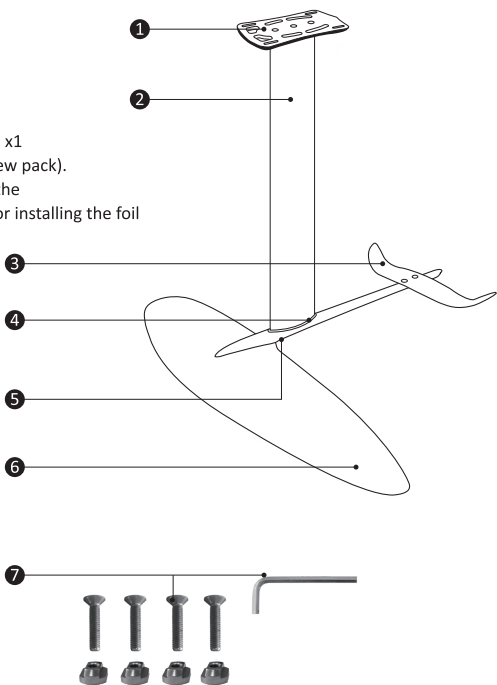
4- Lock System

5- Fuselage - (AF-SC200)

6- Front Wing

7- Foil Tool Kit (Torx T40 Tool x1
to tighten screws with screw pack).

The screw pack including the
spare screws and T-Nuts for installing the foil
onto the board



**A. SCREW PACK A
BOARD ADAPTOR**

3 x M6x28 TH
T40 Screws



**B. SCREW PACK B
FUSELAGE**

3 x M6x28 TH
T40 Screws



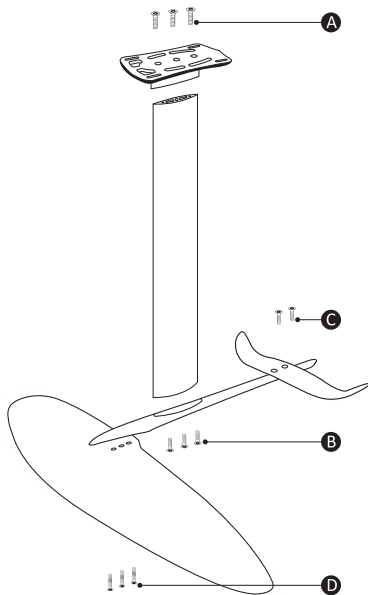
**C. SCREW PACK C
450 STABILIZER**

2 x M6x28 TH
T40 Screws



**D. SCREW PACK D
2000 FRONT WING**

3 x M6x40 TH
T40 Screws



3. FOIL ASSEMBLY

Foiling comes with a unique set of risks and dangers above those inherent to the sport of wing foiling or foil boarding. In order to keep yourselves and others safe in the water, we recommend use extra caution and implement these basic safety precautions:

WARNING:

Do not use power tools for installation as it may cause damage as control of torque and power is limited. Doing so will render your warranty void.

WARNING:

Over tightening screws can cause irreversible damage to your Aztron ROCKET Foil System. Doing so will render your warranty void.

WARNING:

By nature of your foil system being exposed to a harsh marine environment, there is the risk or corrosion even with the high-quality materials used.

3.1 BOARD ADAPTOR TO MAST ASSEMBLY

1. Ensure all surfaces are free from dirt or sand prior to assembly.
2. Position the Board Adaptor onto the top of the Mast whilst ensuring the correct orientation is maintained.
3. Apply light pressure to top of the Board Adaptor so that the Mast engages into the Board Adaptor socket by at least 2cm.
4. Due to the tight fit between the Board Adaptor and the Mast, it is very important to you carefully tighten the screws evenly (matching turns of each screw at a time). If you tighten one screw significantly more than the other, the Board Adaptor could locate unevenly and damage the Mast.
5. Using the technique describe in Step 4, tighten the screws using the Torx tool key the mast is fully seated and screws are tight.

3.2 FUSELAGE TO MAST ASSEMBLY

1. Ensure all surfaces are free from dirt or sand prior to assembly. This is particularly important when assembling the Fuselage onto the Mast.
2. Apply a small amount of grease onto the treads of the screws supplied in Screw Pack B properly using the marine grade grease.
3. Position the Fuselage onto the bottom of the Mast whilst ensuring the correct orientation is maintained.
4. It is very important that you carefully tighten each of the screws evenly (matching turns of each screw at a time). If you tighten one screw significantly more than the other, the Fuselage could locate unevenly and damage the Connection.
5. Using the technique described in Step 3, tighten the screws using the Torx tool key until the connection is level and even with the Fuselage top surface and the screws are firmly tight.

3.3 STABILIZER ASSEMBLY

1. Ensure all surfaces are free from dirt or sand prior to assembly.
2. Apply a small amount of marine grade grease onto the thread and undersides of the heads on the two screws supplied in Screw Pack C.
3. Attach the Stabilizer to the rear of the Fuselage using the two given screws.
4. Tighten the screws using the Torx tool key until the Stabilizer is fully secured and the screws are tight.

3.4 FRONT WING ASSEMBLY

1. Ensure all surfaces are free from dirt or sand prior to assembly.
2. Before proceeding, apply a small amount of the marine grade grease onto the threads and undersides of the heads on the three screws supplied in the package.
3. Attach the Front Wing to the front of the Fuselage using the three greased screws.

4. Tighten each screw equally by hand securing the Front Wing. Then use the Torx tool key provided in the Tool Kit to fully secured the Front Wing and ensure screws are firmly tight.

4. FOIL TO BOARD ASSEMBLY

SCREW SET FOR FLACON AIR BOARD / CARBON BOARD

4 x M6x28 TH

4 x T-Nuts



NOTE: Boards are sold separately. The Aztron foil Boards can be purchased additionally at a Aztron Retailer.

WARNING:

Do not use power tools for installation as it may cause damage as control of torque and power is limited. Doing so will render your warranty void.

WARNING:

Over tightening screws can cause irreversible damage to the inserts, track and T-Nuts. Doing so will render your warranty void.

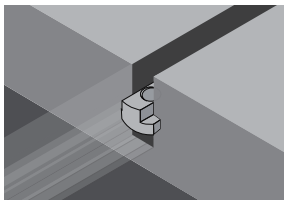


DIAGRAM 1

4.1 ATTACHING YOUR ROCKET FOIL TO AZTRON FOIL BOARDS

T-Nuts pre-inserted into the board tracks

1. Ensure all surfaces are free from dirt or sand prior to assembly. Pay close attention to the Board Adaptor on the foil system and board tracks.
2. Insert one T-Nut into each track using the central track entry points, ensuring the correct T-Nut orientation is maintained as per the diagram (Diagram 1). Slide the T-Nuts towards the tail of the board until they are at the far back end of the tracks.

3. Again, insert one T-Nut into each track using the central track entry points, ensuring the correct orientation is maintained as per diagram (Diagram 1). This time, slide the T-Nuts all the way forward towards the nose of the board.
4. Position the Board Adaptor of the assembled foil system parallel to the base of the board, above the tracks.
5. Align the back two screws holes of the Board Adaptor with the two T-Nuts at the back of the tracks.
6. Position two of the screws through the front two holes on the Board Adaptor and tighten the two screws until they engage with the front two T-Nuts but are still able to slide in the tracks.
7. Slide the foil system, together with the loosely screwed in back two T-Nuts forward until it lines up with the front two T-Nuts.
8. Position the remaining two screws through the front two holes on the Board Adaptor and tighten the two screws until they engage with the front two T-Nuts but are still able to slide in the tracks.
9. Slide the foil system, together with the loosely tightened screws and T-Nuts, along the tracks into your desired position. When you're happy with the positioning, tighten all the screws firmly using the Torx T40 tool in a diagonal sequence until the foil system is fully secured and the screws are firmly tight.

4.2 ATTACHING YOUR ROCKET FOIL TO A NON-AZTRON BOARD

Please refer to the other manufacturer's user manual for installation.

WARNING:

Use a non-Aztron board with a Aztron Foil System is at the user's own risk. Aztron does not accept any responsibility.

WARNING:

Ensure you're using the right length screws on the Scoop, the screws have to be fully engaged to the bottom of the insert before they can be fully tightened.

WARNING:

By nature of your foil system being exposed to a harsh marine environment, there is the risk of corrosion even with the high-quality materials used.

5. FOIL AND BOARD CARE

- Wash or rinse your ROCKET Foil System in fresh water thoroughly after each use.
- Use recommended Aztron boards, foot straps and accessories.
- Check your ROCKET Foil System prior to each use. Ensure screws are tight are no crack, holes or scratches which could compromise your Foil System's structure.
- Do not over tighten screws as they subject to extreme loads. Screw tightness should be checked regularly.
- We recommend storing your ROCKET Foil System in the AZTRON Foil gear bag when it is not in use. This is to prevent unnecessary sun exposure, exposure to hot temperatures (exceeding 45 degrees Celsius), scratches and other wear and tear.

MAINTENANCE:

- To prevent oxidation of the screws and ROCKET FOIL SYSTEM treads, we strongly recommend that you periodically disassemble your Foil System and wash each component in freshwater, before reassembling using re-greased screws.
- If you are not using your ROCKET Foil System for a prolonged period of time, we recommend you disassemble the complete foil system.
- Disassemble the complete foil system regularly for inspection of all parts.

CARE DURING USE:

- Prior to riding, ensure you have walked your foil board into deep enough water to avoid grounding with the foil system when getting onto the board.
- Avoid shallow water and/or rocky water when riding or returning to the beach.
- Your ROCKET Foil System is recommended for wing foiling only. Use of these products with large SUP or windsurf boards is not recommended.

6. SERIAL NUMBER

Each ROCKET Foil System part has an individual serial number. It can be found on the Mast. See below to locate your Serial Number:



